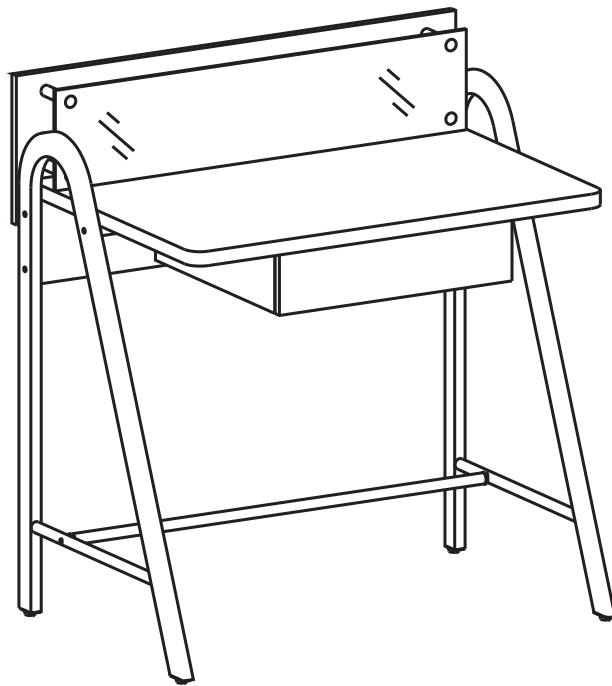


EASY FLOW

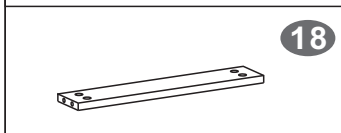
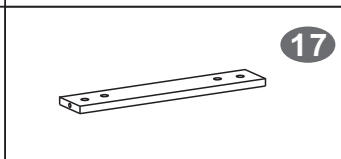
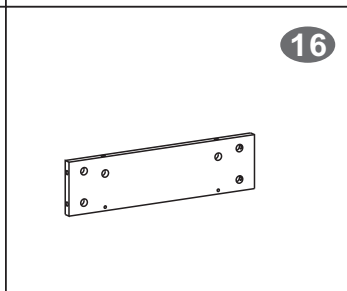
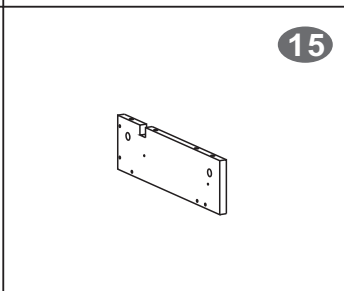
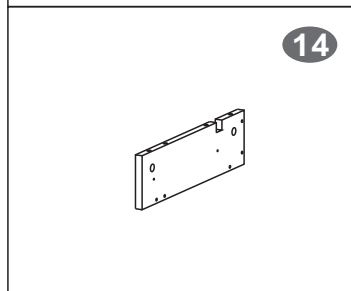
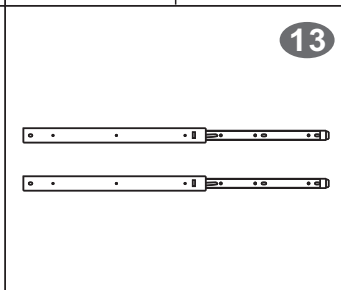
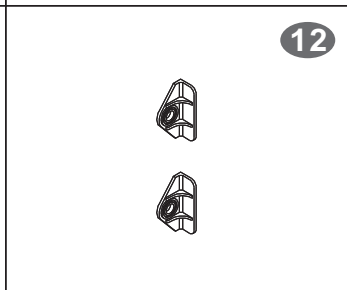
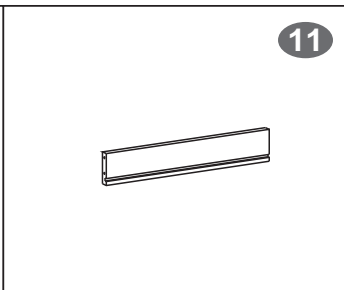
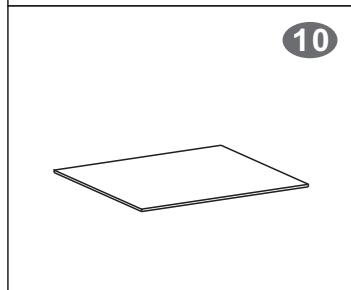
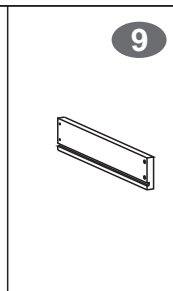
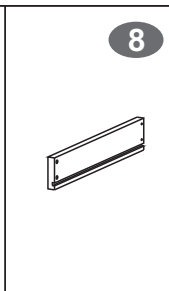
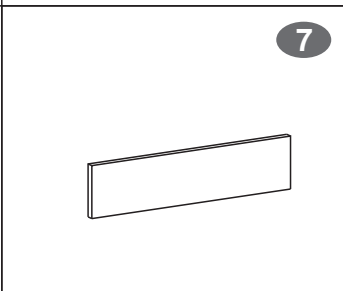
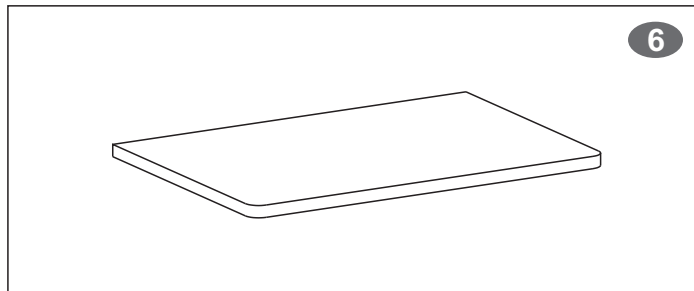
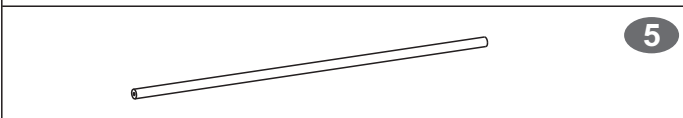
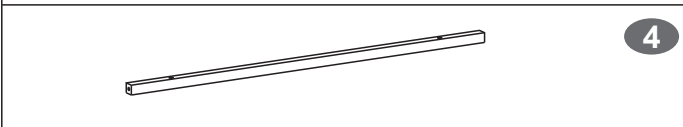
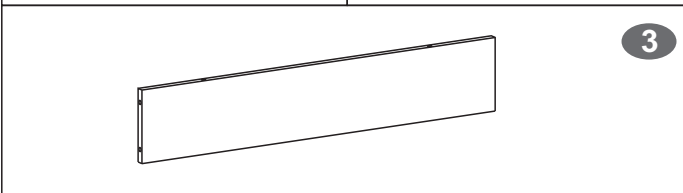
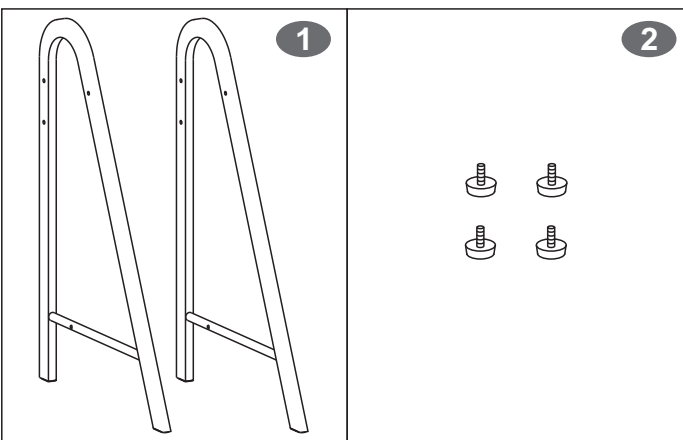
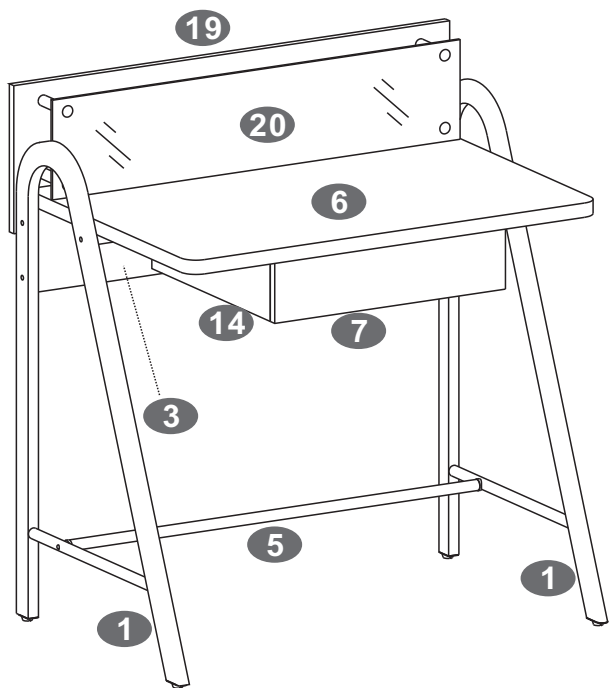
Aufbauanleitung

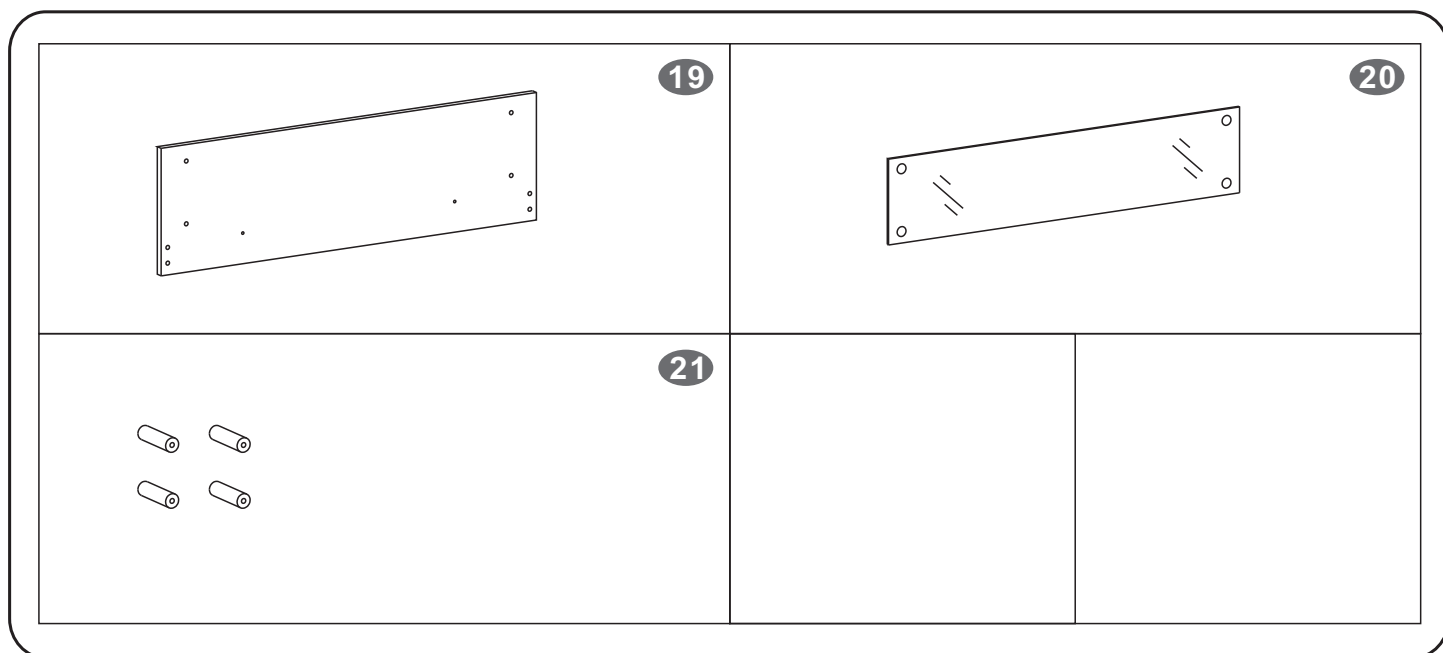
Assembly Instructions



hjh.[®]
OFFICE

▪ TEILELISTE / PARTS LIST

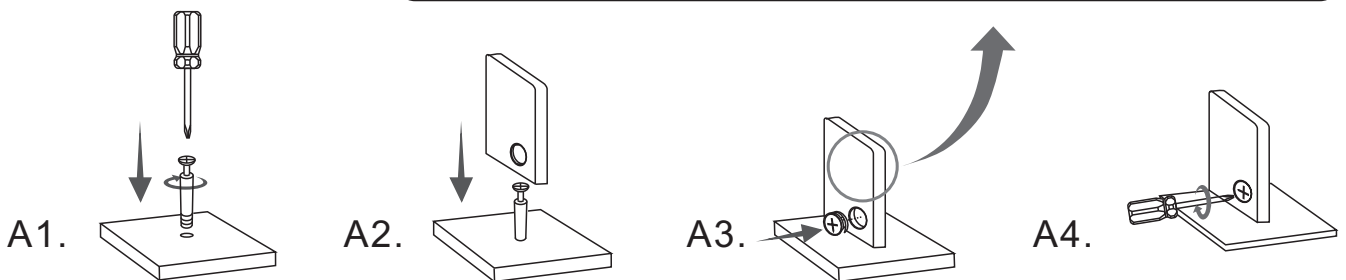
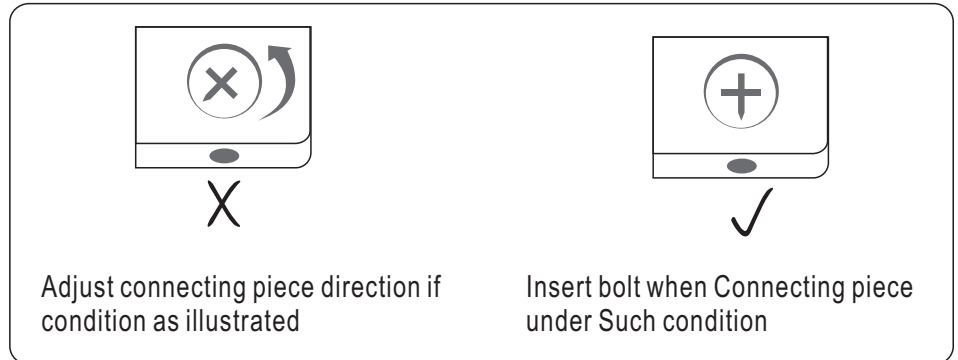
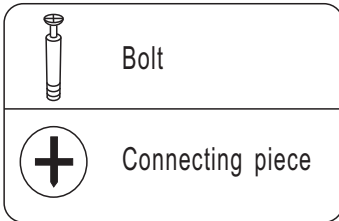




▪ MONTAGEMATERIAL / SCREWS LIST

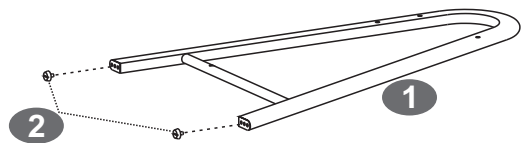
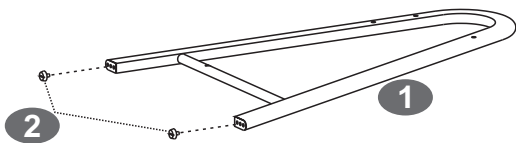
PART	QTY.	ITEM		PART	QTY.	ITEM	
A	4	6X45 MM		I	2	5X40 MM	
B	4	6X40 MM		J	4	6X30 MM	
C	10	6X30 MM		K	8	Φ16 MM	
D	2	Φ19 MM		L	4	Φ10 MM	
E	20	6X40 MM		M	20	Φ15 MM	
F	12	3X15 MM		N	4	8X30 MM	
G	2	6X15 MM			1		
H	4	4X35 MM					

6X40MM

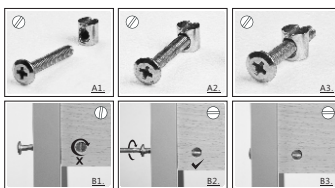
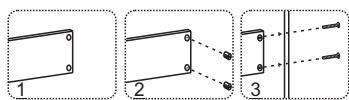
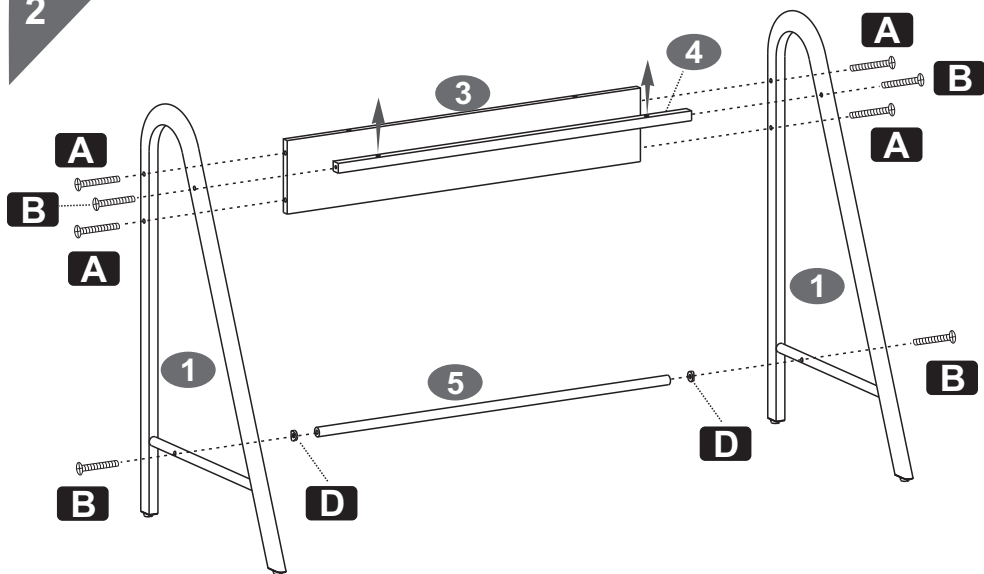


▪ AUFBAU / ASSEMBLY:

1



2



■ SCHRAUBEN / SCREWS

A 6X45 MM

4PCS

B 6X40 MM

4PCS

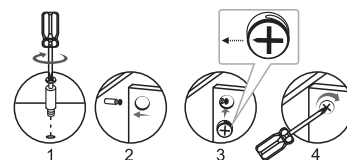
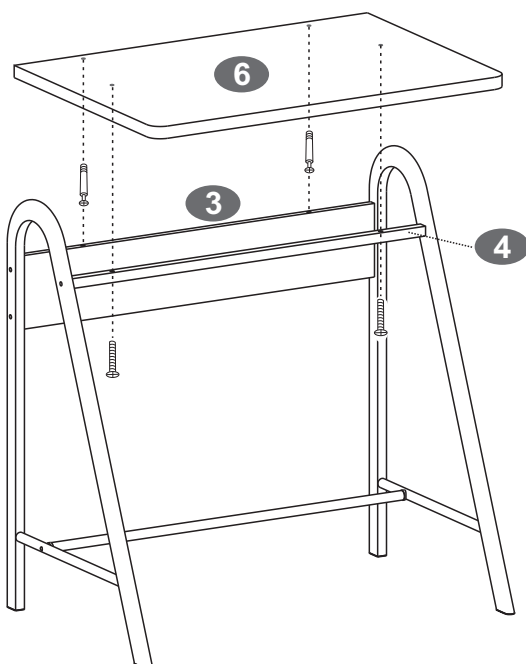
D Φ 19 MM

2PCS

L Φ 10 MM

4PCS

3



■ SCHRAUBEN / SCREWS

C 6X30 MM

2PCS

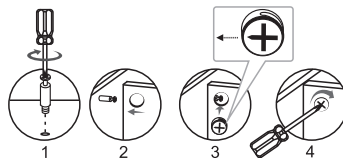
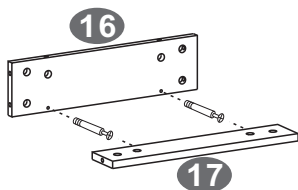
E 6X40 MM

2PCS

M Φ 15 MM

2PCS

4



■ SCHRAUBEN / SCREWS

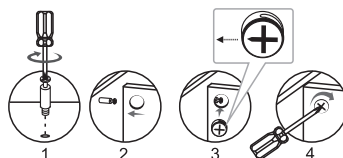
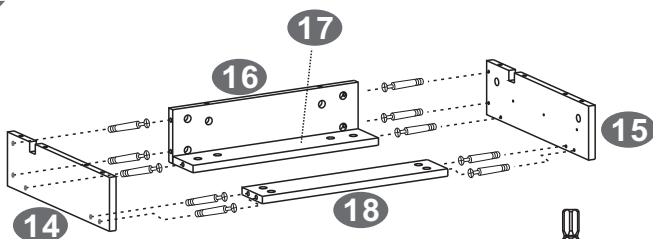
E 6X40 MM
 2PCS



M Φ 15 MM
 2PCS



5



■ SCHRAUBEN / SCREWS

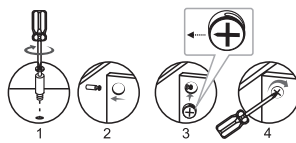
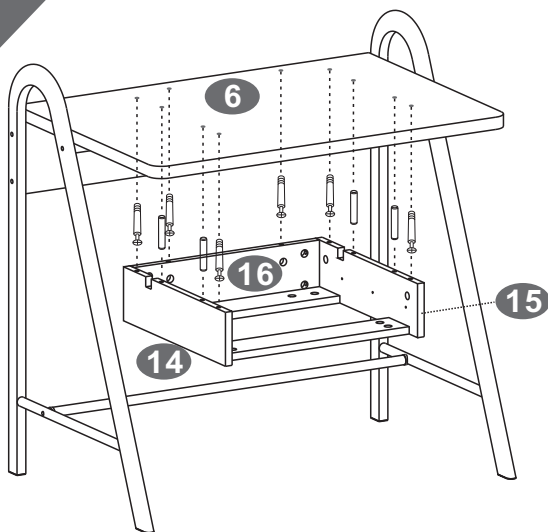
E 6X40 MM
 10PCS



M Φ 15 MM
 10PCS



6



■ SCHRAUBEN / SCREWS

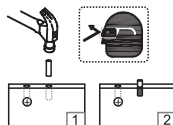
E 6X40 MM
 6PCS



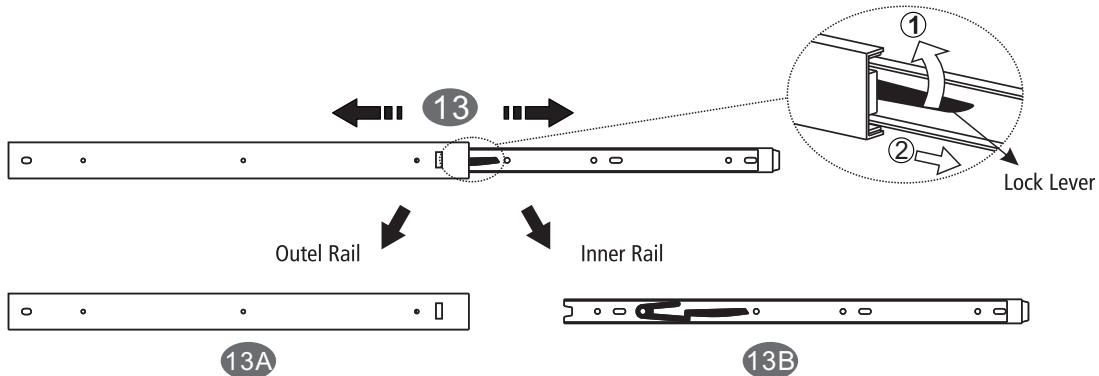
M Φ 15 MM
 6PCS



N 8X30 MM
 4PCS



7



Outer Rail

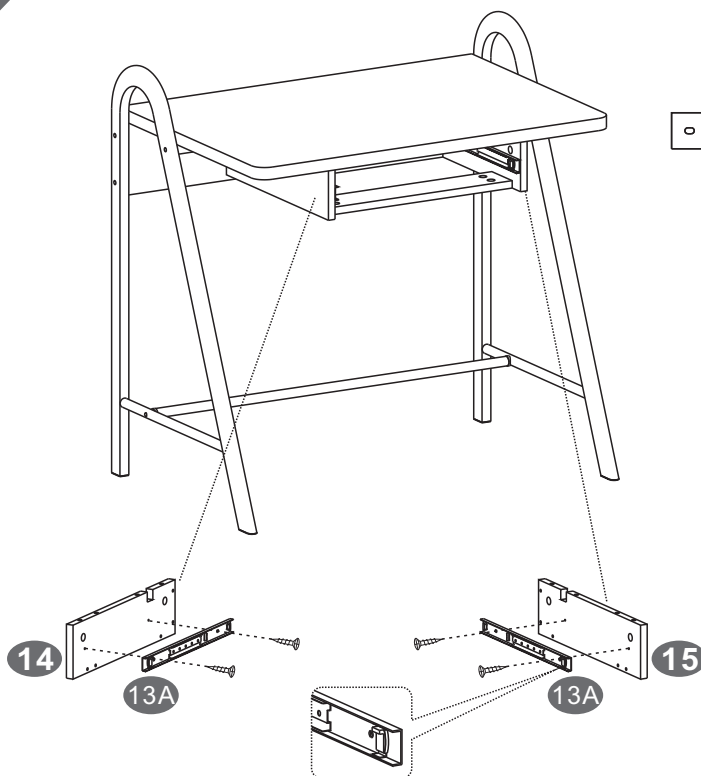
Inner Rail

Lock Lever

13A

13B

8



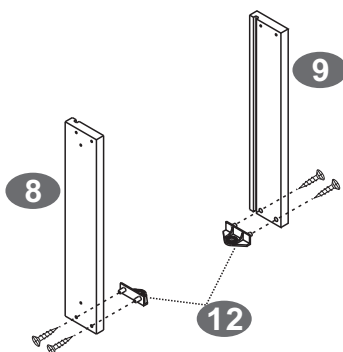
■ SCHRAUBEN / SCREWS

F 3X15 MM

4PCS



9



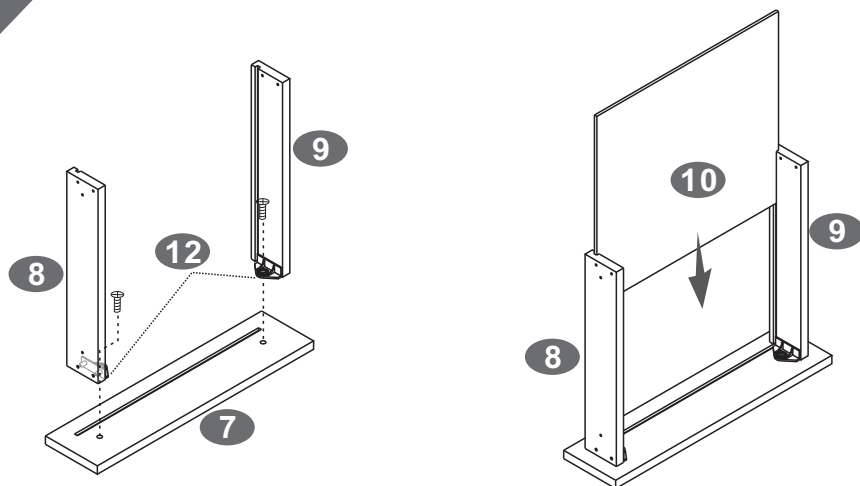
■ SCHRAUBEN / SCREWS

F 3X15 MM

4PCS



10



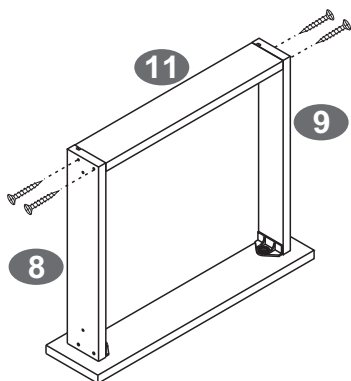
■ SCHRAUBEN / SCREWS

G 6X15 MM

2PCS



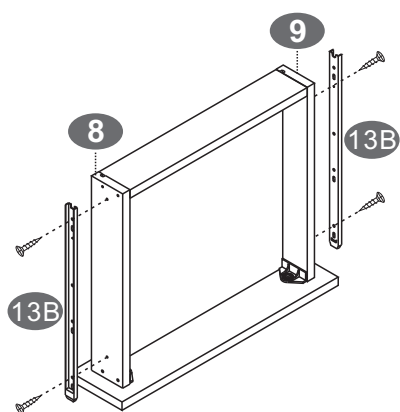
11



■ SCHRAUBEN / SCREWS

H 4X35 MM
 4PCS

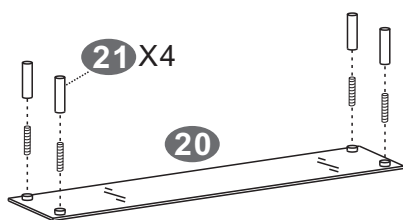

12



■ SCHRAUBEN / SCREWS

F 3X15 MM
 4PCS

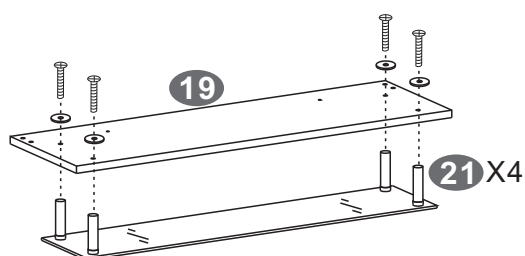

13



■ SCHRAUBEN / SCREWS

J 6X30 MM
 4PCS

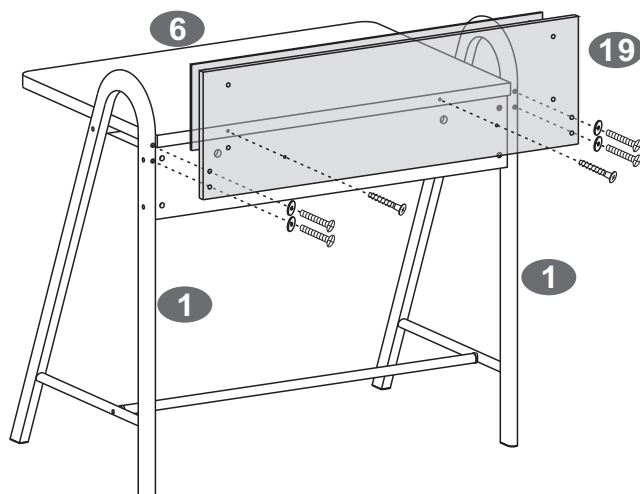
14



■ SCHRAUBEN / SCREWS

C 6X30 MM
 4PCS
K Φ 16 MM
 4PCS


15



■ SCHRAUBEN / SCREWS

C 6X30 MM

 4PCS

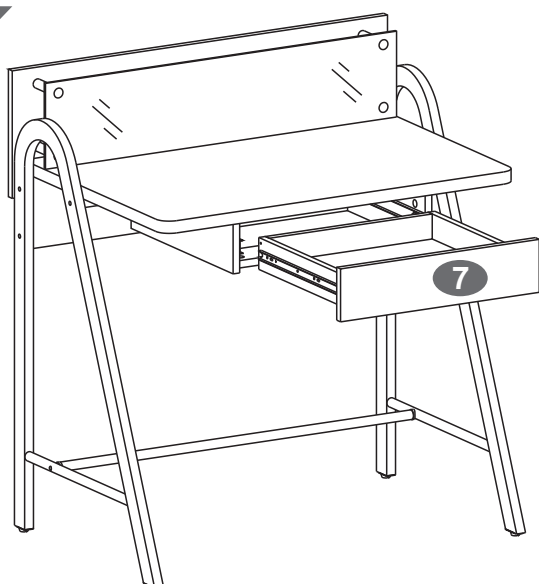
K Φ 16 MM

 4PCS

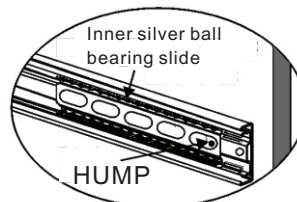
I 5X40 MM

 2PCS


16

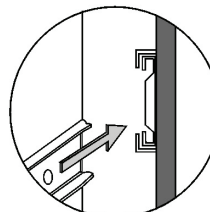


1st



Make sure inner silver ball bearing slide is at the front of the slide mount and in lock position (over the hump), as shown.

2nd



Align both sides of slide runners to slide mounts' openings, then slide all the way in. Apply small force to insert completely if needed.

17

